

# 8FG25 8FD25

## MAIN VEHICLE SPECIFICATIONS

			TOYOTA		TOYOTA		TOYOTA			
			30-8FG25	32-8FG25	60-8FD25	62-8FD25	70-8FD25	72-8FD25		
1	Manufacturer									
2	Model									
3	Load Capacity	kg	2500		2500		2500			
4	Load Center	mm	500		500		500			
5	Power Type		Gasoline		Diesel		Diesel			
6	Operator Position		Rider Seated		Rider Seated		Rider Seated			
7	Tire Type	Front/Rear	Pneumatic		Pneumatic		Pneumatic			
8	Wheels (x = driven)	Front/Rear	2x/2		2x/2		2x/2			
9	Maximum Fork Height (MFH)		3000		3000		3000			
10	Free Lift		155		155		155			
13	Fork Size	T x W x L	42x120x1070		42x120x1070		42x120x1070			
	Fork Spread (Outside)	MAX./MIN.	1020/240		1020/240		1020/240			
14	Tilt Range	FWD/BWD	6/11		6/11		6/11			
15	Length to Fork Face		2635		2635		2635			
16	Overall Width		1150		1150		1150			
17	Mast Lowered Height		1995		1995		1995			
18	Mast Extended Height		4220		4220		4220			
19	Overhead Guard Height		2110		2110		2110			
21	Turning Radius (Outside)		2280		2280		2280			
22	Load Distance (Centerline of front axle to front face of forks)	mm	465		465		465			
	Rear Overhang	mm	520		520		520			
23	Basic Right Angle Stacking Aisle Width (Add load length and clearance)		2745		2745		2745			
24	Travel, Max. (FWD/RVS)	Full Load	km/h	18.0/18.0	17.5/17.5	19.5/19.5	19.0/19.0	19.0/19.0		
		No Load	km/h	18.5/18.5	18.0/18.0	20.0/20.0	19.5/19.5	19.5/19.5		
25	Speeds	Lifting	Full Load	mm/sec	600	600	615	615	650	650
		No Load	mm/sec	640	640	655	655	675	675	
26	Lowering	Full Load	mm/sec	500	500	500	500	500	500	
		No Load	mm/sec	500	500	500	500	500	500	
28	Max. Drawbar Pull	Full Load	N (kg)	16500 (1680)	18500 (1890)	17500 (1780)	19000 (1940)	19500 (1990)	20000 (2040)	
		No Load	N (kg)	8600 (880)	8500 (870)	8700 (890)	8700 (890)	8800 (900)	8800 (900)	
	Max. Drawbar Pull at 1.5km/h *	Full Load	N (kg)	—	17000 (1730)	—	17200 (1750)	—	17500 (1780)	
29	Gradeability at 1.5 km/h *	Full Load	% (tanθ)	—	30	—	31	—	29	
30	Max. Gradeability *	Full Load	% (tanθ)	28	34	28	34	33	32	
		No Load	% (tanθ)	19	19	19	19	19	19	
32	Total Weight		kg	3560		3600		3650		
33	Weight Distribution	Full Load	Front	kg	5280		5300		5320	
		Rear	kg	780		800		830		
34	No Load	Front	kg	1300		1320		1340		
		Rear	kg	2260		2280		2310		
35	Number	Front/Rear	2/2		2/2		2/2			
36	Tires	Front	7.00-12-12PR (I)		7.00-12-12PR (I)		7.00-12-12PR (I)			
37		Rear	6.00-9-10PR (I)		6.00-9-10PR (I)		6.00-9-10PR (I)			
38	Wheelbase	mm	1650		1650		1650			
39	Tread	Front	mm	960		960		960		
		Rear	mm	965		965		965		
	Backrest Height	mm	1220		1220		1220			
	Overhead Guard Clearance	mm	1055		1055		1055			
	Counterweight Height	mm	1090		1090		1090			
	Drawbar Pin Center Height	mm	310		310		310			
	Step Height/Floor Height	mm	435/675		435/675		435/675			
40	Underclearance	Min. <Mast>	mm	95		95		95		
41	(Full Load)	Center of Wheelbase	mm	140		140		140		
	Grade Clearance	Frame/Counterweight	% (tanθ)	51/41		51/41		51/41		
42	Brake	Service (Foot)	Hydraulic		Hydraulic		Hydraulic			
43		Parking	Hand	Foot	Hand	Foot	Hand	Foot		
45	Battery	Voltage/Capacity (5HR)	V/AH	12/27		12/55		12/64		
49	Make/Model		TOYOTA/4Y		TOYOTA/1DZ-II [1DZ-III] **		TOYOTA/2Z ***			
50	Rated Horsepower/r.p.m.		kW (JIS ps)		44 (60) /2600 [41 (55) /2500]		49/2200 (66/2200)			
51	Rated Torque/r.p.m.		N-m (JIS kg-m)		167 (17.0) /1600 [157 (16.0) /2500]		216/1600 (22.0/1600)			
52	Number of Cylinder		4		4		4			
	Piston Displacement		cc		2486		3469			
	Fuel Tank Capacity		liter		60		60			
55	Type		Manual Powershift		Manual Powershift		Manual Powershift			
	Stage	FWD/RVS	2/2 1/1		2/2 1/1		2/2 1/1			
57	Operating Pressure	For Attachments	Mpa (kg/cm <sup>2</sup> ) <psi>	14.7 (150) <2100>		14.7 (150) <2100>		14.7 (150) <2100>		

NOTE: \* Computed values.

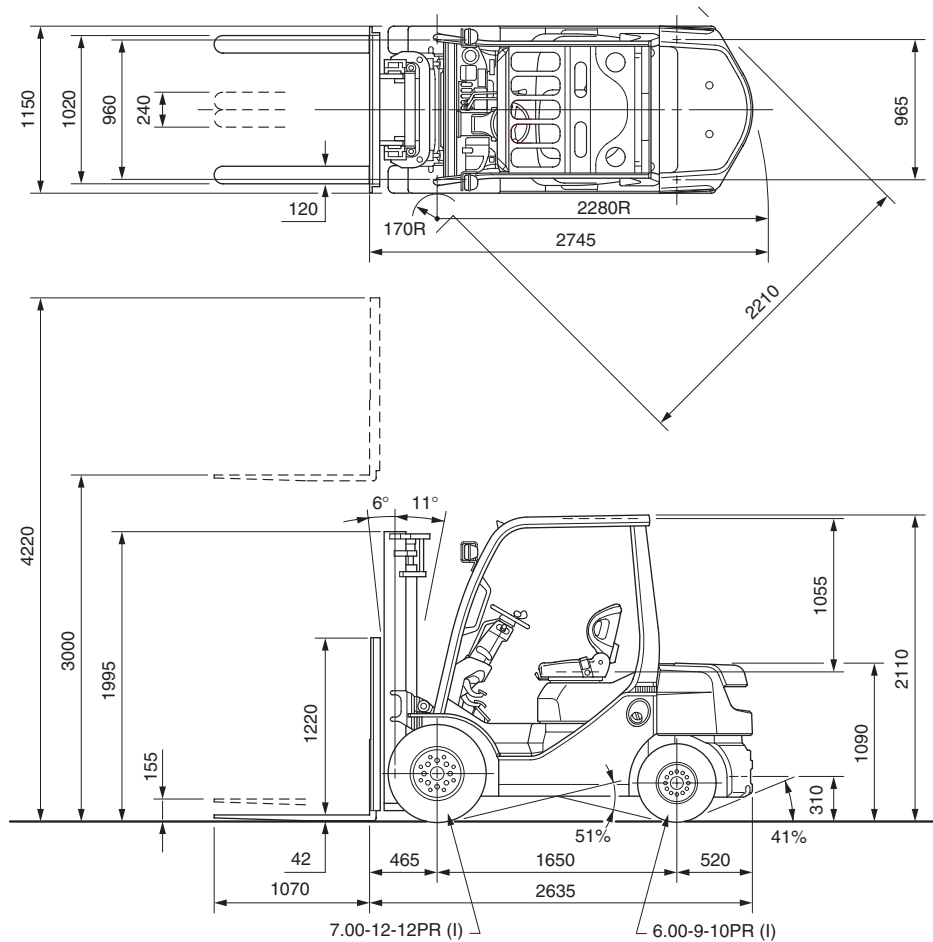
\*\* 1DZ-II: Non-road Mobile Machinery (97/68/EC; Stage II) EPA Non-road Diesel Emissions (40 CFR Part 89; Interim Tier 2).

1DZ-III: Non-road Mobile Machinery (97/68/EC; Stage IIIA) EPA Non-road Diesel Emissions (40 CFR Part 1039; Interim Tier 4).

\*\*\* 2Z: Non-road Mobile Machinery (97/68/EC; Stage II).

**DIMENSIONAL DRAWINGS**  
8FG/8FD25

Unit: mm



**UNDERCLEARANCE**

Mast (Full Load)	95
Drive Axle (Full Load)	130
Steer Axle (No Load)	160
Center of Wheelbase (Full Load)	140
Counterweight (No Load)	150

**SPECIAL TREAD**

Model	8FG/8FD25		
	Single/Dual	Single	Dual
Front Tire	Single/Dual	Single	Dual
Front Tire Size		7.00-12-12PR (I)	5.50-15-8PR (I) 7.00-12-12PR (I)
Overall Width	mm	1150	1450 1610
Tread, Front	mm	960	1105 1190

**SPECIAL MAST**

Wide Visible Full-Free Lift Two-Stage Mast (FV), Wide Visible Full-Free Lift Three-Stage Mast (FSV)

Model	8FG25		60-8FD25 62-8FD25		70-8FD25 72-8FD25		8FG25		60-8FD25 62-8FD25		70-8FD25 72-8FD25	
Type of Mast	FV						FSV					
<b>PERFORMANCE</b>												
Speeds	Lifting	Full Load	mm/sec	560	600	625	560	590	620	600	630	645
		No Load	mm/sec	600	640	655	600	630	645			
	Lowering	Full Load	mm/sec		480			480				
		No Load	mm/sec		420			450				
<b>DIMENSIONS</b>												
Load Distance (Centerline of front axle to front face of forks)	mm			470				480				

# RATED CAPACITIES

## 8FG/8FD25

### V, FV Mast (PN)

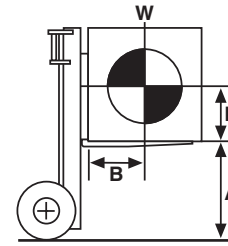
A (mm)	4000	4500	5000	
500	2500	2150 [2450]	1700 [2400]	
	600	2260	1940 [2210]	
		1540 [2170]		
700	2070	1780 [2020]	1400 [1980]	
800	1900	1640 [1860]	1290 [1830]	
B (mm)	900	1760	1510 [1730]	1200 [1690]
	1000	1640	1410 [1610]	1110 [1580]
1100	1540	1320 [1510]	1040 [1470]	
1200	1440	1240 [1410]	980 [1390]	
1300	1360	1170 [1330]	920 [1310]	

[ ] for dual tire models.

### V, FV Mast (PSC)

A (mm)	4000	4500	5000	
500	2500	2300 [2450]	1850 [2400]	
	600	2260	1940 [2210]	
		1540 [2170]		
700	2070	1780 [2020]	1400 [1980]	
800	1900	1640 [1860]	1290 [1830]	
B (mm)	900	1760	1510 [1730]	1200 [1690]
	1000	1640	1410 [1610]	1110 [1580]
1100	1540	1320 [1510]	1040 [1470]	
1200	1440	1240 [1410]	980 [1390]	
1300	1360	1170 [1330]	920 [1310]	

[ ] for dual tire models.



A: Max. Fork Height  
B: Load Center  
W: Capacity

### FSV Mast (PN)

A (mm)	4000	4300	4500	4700	5000	5500	6000	6500	7000
500	2500	2300 [2500]	2000 [2450]	2000 [2450]	1500 [2400]	1250 [2050]	900 [1700]	—	—
	600	2260	2080 [2260]	1810 [2220]	1810 [2220]	1360 [2170]	1130 [1860]	810 [1540]	—
		—	—	—	—	—	—	—	—
700	2070	1910 [2070]	1660 [2030]	1660 [2030]	1240 [1990]	1030 [1700]	740 [1410]	—	
800	1910	1760 [1910]	1530 [1870]	1530 [1870]	1140 [1830]	950 [1560]	680 [1300]	—	
B (mm)	900	1770	1630 [1770]	1420 [1730]	1420 [1730]	1060 [1700]	880 [1450]	630 [1200]	—
	1000	1650	1520 [1650]	1320 [1620]	1320 [1620]	990 [1580]	820 [1350]	590 [1120]	—
1100	1550	1420 [1550]	1240 [1510]	1240 [1510]	930 [1480]	770 [1270]	550 [1050]	—	
1200	1450	1340 [1450]	1160 [1420]	1160 [1420]	870 [1400]	720 [990]	520 [900]	—	
1300	1370	1260 [1370]	1100 [1340]	1100 [1340]	820 [1320]	680 [1120]	490 [930]	—	

[ ] for dual tire models (PN or PSC).

### FSV Mast (PSC)

A (mm)	5000	5500	6000
500	1650	1400	1050
600	1490	1270	950
700	1370	1160	870
800	1260	1070	800
B (mm)	900	1170	990
	1000	1090	920
1100	1020	860	650
1200	960	810	610
1300	900	770	570

# MAST SPECIFICATIONS & RATED CAPACITIES

Wide Visible Mast (V), Wide Visible Full-Free Lift Two-Stage Mast (FV), Wide Visible Full-Free Lift Three-Stage Mast (FSV)

## 8FG/8FD25

Mast Type	Maximum Fork Height	Overall Height				Free Lift		Single Tire				Dual Tire	
		Lowered	Extended		Without Load Backrest	With Standard Load Backrest	Tilt Range		Load Capacity at 500 mm LC		Tilt Range		Load Capacity at 500 mm LC
			Without Load Backrest	With Standard Load Backrest			FWD	BWD	Pneumatic Tire	Pneumatic-Shaped Cushion Tire	FWD	BWD	
V	2700	1845	3375*	3920	150	150	6	11	2500	2500	6	11	2500
	3000	1995	3675*	4220	150	150	6	11	2500	2500	6	11	2500
	3300	2145	3975*	4520	150	150	6	11	2500	2500	6	11	2500
	3500	2245	4175*	4720	150	150	6	11	2500	2500	6	11	2500
	3700	2405	4375*	4920	150	150	6	11	2500	2500	6	11	2500
	4000	2595	4675*	5220	150	150	6	9	2500	2500	6	11	2500
	4500	2845	5175*	5720	150	150	6	6	2150	2300	6	11	2450
5000	3095	5675*	6220	150	150	6	6	1700	1850	6	6	2400	
FV	3000	1995	3560	4175	1400	785	6	11	2500	2500	6	11	2500
	3300	2145	3860	4435	1550	975	6	11	2500	2500	6	11	2500
	3500	2245	4060	4635	1650	1075	6	11	2500	2500	6	11	2500
	3700	2405	4260	4835	1810	1235	6	11	2500	2500	6	11	2500
	4000	2595	4560	5135	2000	1425	6	9	2500	2500	6	11	2500
FSV	3700	1795	4270	4910	1225	585	6	6	2500	2500	6	6	2500
	4000	1895	4570	5210	1325	685	6	6	2500	2500	6	6	2500
	4300	1995	4870	5510	1425	785	6	6	2300	2300	6	6	2500
	4500	2065	5070	5710	1495	855	6	6	2000	2000	6	6	2450
	4700	2145	5270	5910	1575	935	6	6	2000	2000	6	6	2450
	5000	2245	5570	6210	1675	1035	6	6	1500	1650	6	6	2400
	5500	2405	6070	6710	1835	1195	6	6	1250	1400	6	6	2050
	6000	2595	6570	7210	2025	1385	6	6	900	1050	6	6	1700
	6500	2845	7070	7710	2275	1635	—	—	—	—	6	6	1550
	7000	3095	7570	8210	2525	1885	—	—	—	—	6	6	1200

NOTE: Height of standard load backrest is 1220 mm.  
\* with A4 piping, minus 15 mm.